

Safety Limit Switches – Type LSMM - Metal Body



Features:

- Heavy Duty Die Cast Metal Bodies
- Positive opening NC safety contacts to IEC 945-5-1
- Unique 3 pole positively operated contacts
- Choice of 7 actuator heads Linear and Rotary
- High Mechanical Life 5,000,000 cycles
- Simple two-screw mounting
- Side or End cable exit
- Enclosure Protected to IP67 - wash down suitable
- Wide operating temperature -25C to 80C.

Contact Blocks : 2NC 1NO Slow break
1NC 1NO Snap action



Actuator types:

- PP: Pin plunger
- RP: Roller plunger
- CR: Cross Roller Plunger
- RL: Roller Lever
- PPP: Panel Mount Pin Plunger
- PRP: Panel Mount Roller Plunger
- PCR: Panel Mount Cross Roller Plunger

Cable exit:

- S- Side exit
- E- End exit

Contacts:

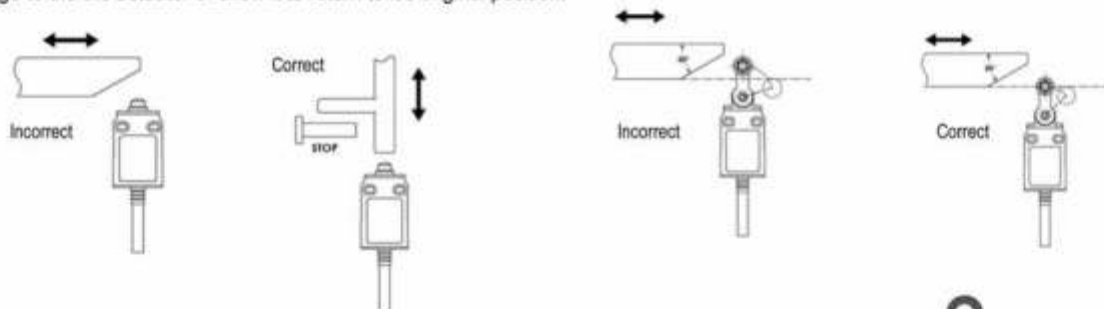
- 2NC 1NO
- 1NC 1NO Snap

Application:

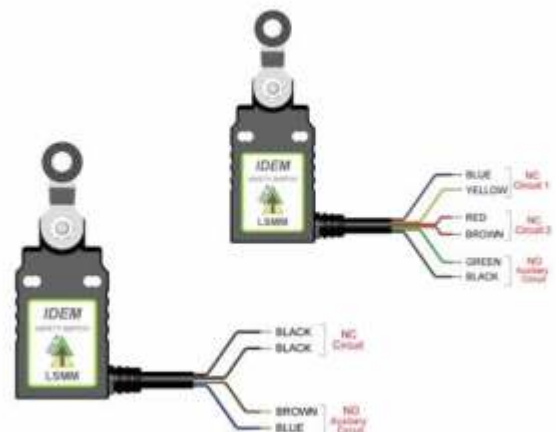
IDEM Safety Limit switches are designed to be mounted for position sensing of moving applications e.g. guard doors, conveyors, machine beds, elevators. They are available with linear plungers, rotary levers or roller plungers and either slow or snap action contacts.

Operation:

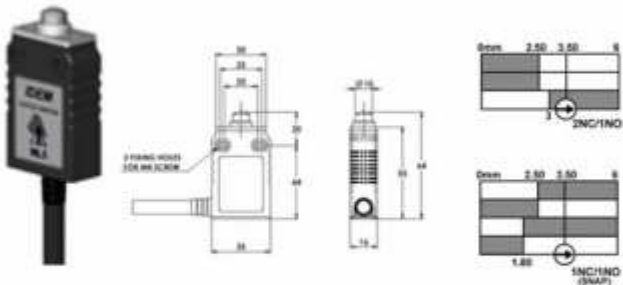
Operation of the switches is achieved by a sliding actuation of the moving object to cause deflection of the switch plungers or levers. For safety applications it is important that the moving object does not pass completely over the switch actuators so as to either cause damage to the the actuator or allow it to return to it's original position.



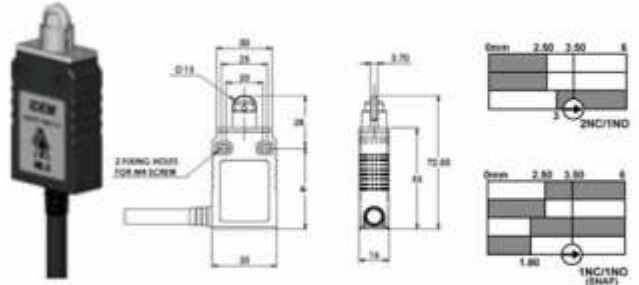
Standards	EN1088 IEC 947-5-1 UL508
Approvals	cULus TUV
Utilization Category	AC15 A300 240V. 3A.
Thermal Current (Ith)	10A
Rated Insulation Voltage	300VAC
Rated impulse Withstand Volt	2500VAC
Insulation Resistance	100MΩmin.
Max. Switching Speed	250mm/s
Max. Switching Frequency	6,000 operation per hour
Case Material	Die Cast Metal – Painted Black
Roller Material	Various Polymers
Enclosure Protection	IP67
Operating Temperature	Min. -25°C Max 80°C
Mechanical Life Expectancy	5,000,000
Vibration	IEC 68-2-6, 10-55Hz 0.35mm, 1 octave/min
Conductor size	1.5 sq mm
Cable OD	8mm max.
Fixing	2 x M4



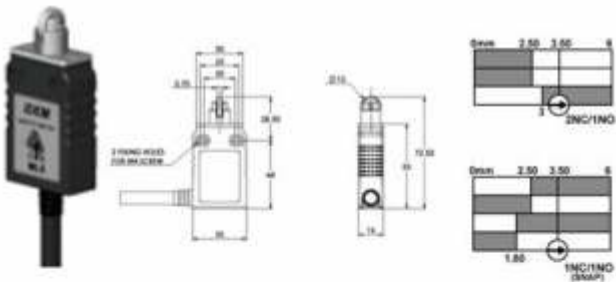
Safety Limit Switches – Type LSMM - Metal Body



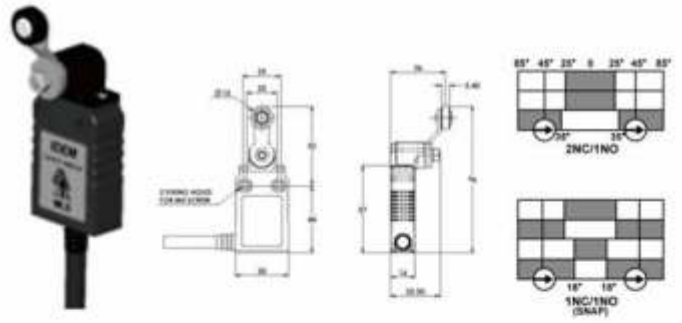
Pin Plunger Sales Numbers		
Contacts	Cable Side Exit	Cable End Exit
2NC 1NO	172001	172003
1NC 1NO Snap	172002	172004



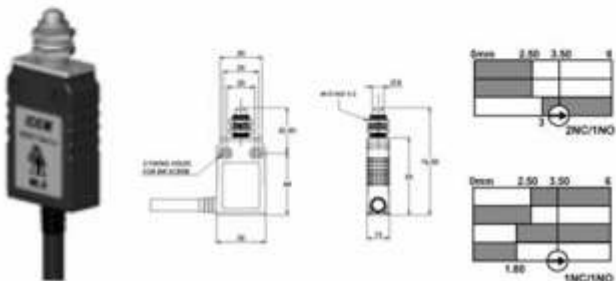
Roller Plunger Sales Numbers		
Contacts	Cable Side Exit	Cable End Exit
2NC 1NO	172005	172007
1NC 1NO Snap	172006	172008



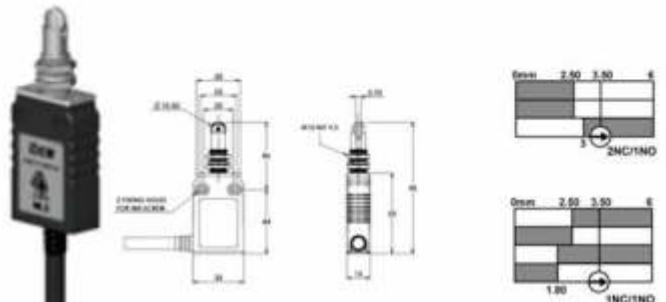
Cross Roller Plunger Sales Numbers		
Contacts	Cable Side Exit	Cable End Exit
2NC 1NO	172009	172010
1NC 1NO Snap	172011	172012



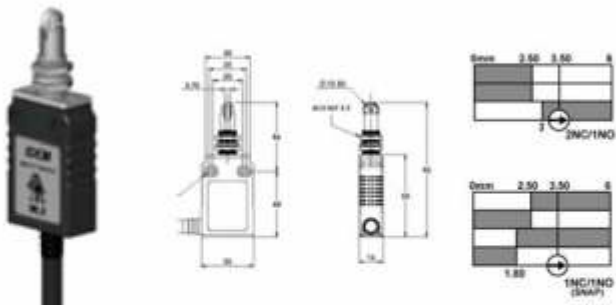
Roller Lever Sales Numbers		
Contacts	Cable Side Exit	Cable End Exit
2NC 1NO	172013	172014
1NC 1NO Snap	172015	172016



Panel Mount Pin Plunger Sales Numbers		
Contacts	Cable Side Exit	Cable End Exit
2NC 1NO	172017	172018
1NC 1NO Snap	172019	172020



Panel Mount Roller Plunger Sales Numbers		
Contacts	Cable Side Exit	Cable End Exit
2NC 1NO	172021	172022
1NC 1NO Snap	172023	172024



Panel Mount Cross Roller Plunger Sales Numbers		
Contacts	Cable Side Exit	Cable End Exit
2NC 1NO	172025	172026
1NC 1NO Snap	172027	172028

