

IDEMAG - Magnetic Non Contact - Type SPR

Magnetic Actuation - Power series

Medium Duty versions

230V.ac / 24V.dc 1A.

Switching Tolerance up to 12mm

Specified to 80°, but designed to work up to 100°

Will operate with most EN 954-1 Cat.4 Safety Relays

Universal fitting - established 22mm fixing footprint suitable for most general applications.

Withstands environments where high humidity or hose down is required.

Durable polyester housing.

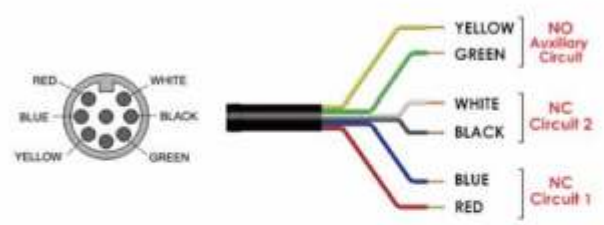
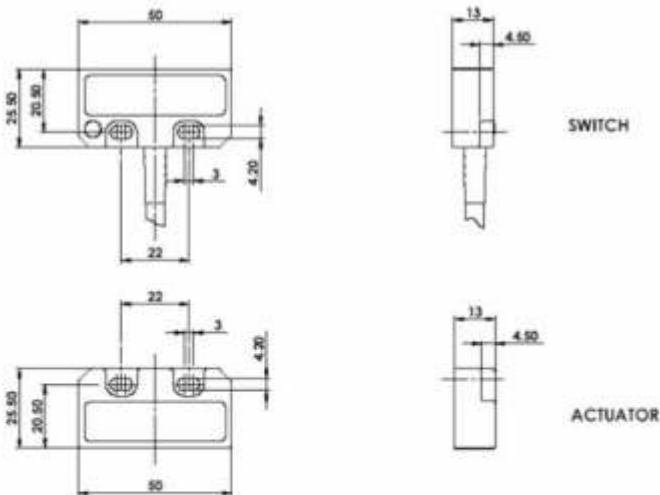
Wide 12mm sensing – high tolerance to misalignment.

Long life high switching capability to 1A.

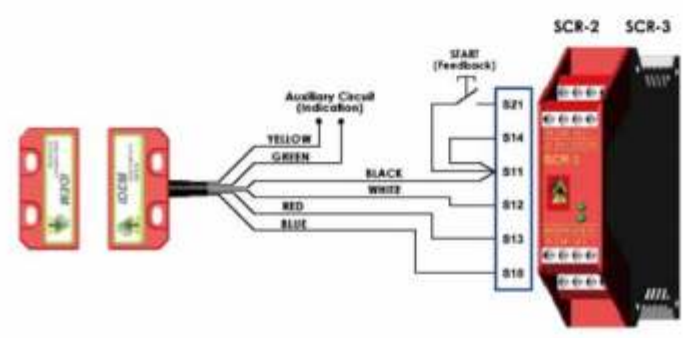
Can be used standalone for low risk applications or up to EN 954-1 Cat.4 with Safety Relay.



Plastic Housing



Connection example – magnetic switches



Single switch connected to an SCR-2 or SCR-3 to give Dual Channel monitoring with Manual Start. Optional auxiliary circuit provides for remote signalling from switch.

Standards	EN1088 IEC 947-5-3 EN 60204-1
	EN 954-1 UL508
Safety Channel 1 NC	Voltage free : 250V.ac 1.0 A Max. Rating
Safety Channel 2 NC	Voltage free : 250V.ac 1.0 A Max. Rating
Safety Channel 3 NO	Voltage free : 24V.dc 0.2 A Max. Rating
Fuse	Internal 1.0 A. (F) External 0.8A (F)
Contact release time	<2ms
Initial contact resistance	<500 milliohm
Minimum switched current	10V, dc 1mA
Dielectric withstand	250V.ac
Insulation Resistance	100 Mohms
Recommended setting gap	5mm
Switching Distance:	Sao 10mm Close
(Target to target)	Sar 22mm Open
Tolerance to misalignment	5mm in any direction from 5mm setting gap
Switching frequency	1.0 Hz maximum
Approach speed	200mm/m. to 1000mm/s.
Body Material	Red Polyester
Temperature Range	-25 / 80C.
Enclosure Protection	IP67
Shock Resistance	IEC 68-2-27 11ms 30g
Vibration Resistance	IEC 68-2-6 10-55 Hz, 1mm
Mechanical Life Expectancy	10,000,000 switchings
Electrical Life Expectancy	1,000,000 switchings
	De-rating Safety Factor 2
	Tested to 2,000,000 cycles at 24V, 0.2A
Cable Type	PVC 6 or 8 core 6mm O.D.
Mounting Bolts	2 x M4 Tightening torque 1.0 Nm
Mounting Position	Any

Sales Number	Type	Cable Length	Circuits
111009	Idemag SPR	2M	2NC
111010	Idemag SPR	5M	2NC
111011	Idemag SPR	10M	2NC
111012	Idemag SPR	QC-M12	2NC
111013	Idemag SPR	2M	2NC 1NO
111014	Idemag SPR	5M	2NC 1NO
111015	Idemag SPR	10M	2NC 1NO
111016	Idemag SPR	QC-M12	2NC 1NO