

EUROMAG - Magnetic Non Contact - Type LPR

Magnetic Actuation - Power series

Medium Duty versions

230V.ac / 24V.dc 1A.

Switching Tolerance up to 12mm

Specified to 80°, but designed to work up to 100°

Popular European fitting suitable for all industry applications.

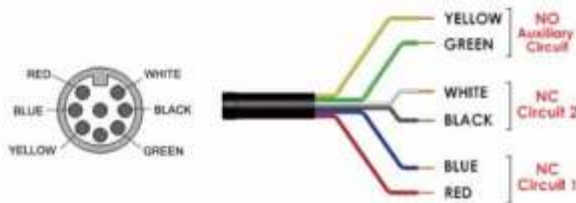
Will operate with most EN 954-1 Cat.4 Safety Relays

Wide 12mm sensing – high tolerance to misalignment

Narrow fitting for flush mounting

Unique Long Life High Power switching capability up to 1A.

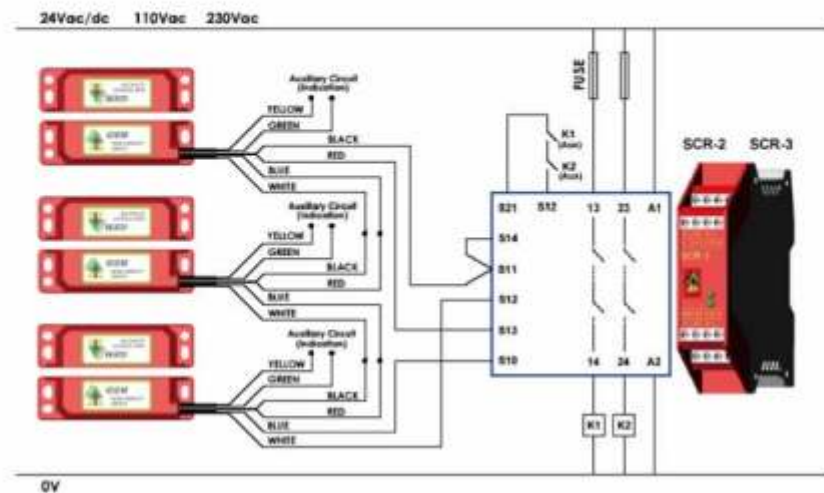
Can be used standalone for low risk applications or up to EN 954-1 Cat.4 with Safety Relay.



Plastic Housing

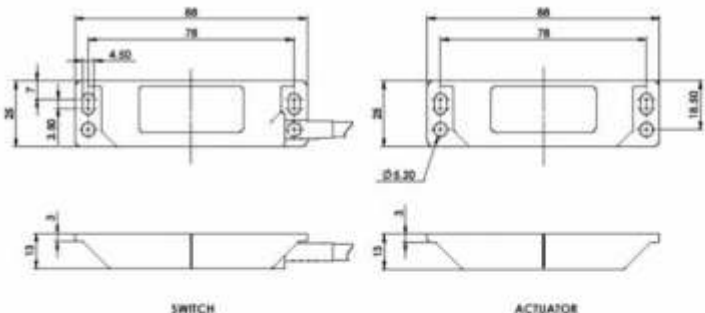


Application example – magnetic switches



Three switches connected in series to an SCR-2 or SCR-3 to give Dual Channel monitoring with auto start and contactor feedback check. Optional auxiliary circuits provide for remote signalling from each switch.

Standards	EN1088 IEC 947-5-3 EN 60204-1 EN 954-1 UL508
Safety Channel 1 NC	Voltage free : 250V.ac 1.0 A Max. Rating
Safety Channel 2 NC	Voltage free : 250V.ac 1.0 A Max. Rating
Safety Channel 3 NO	Voltage free : 24V.dc 0.2 A Max. Rating
Fuse	Internal 1.0 A (F) External 0.8A (F)
Contact release time	<2ms
Initial contact resistance	<500 milliohm
Minimum switched current	10V. dc 1mA
Dielectric withstand	250V.ac
Insulation Resistance	100 Mohms
Recommended setting gap	5mm
Switching Distance:	Sao 10mm Close
(Target to target)	Sar 22mm Open
Tolerance to misalignment	5mm in any direction from 5mm setting gap
Switching frequency	1.0 Hz maximum
Approach speed	200mm/m. to 1000mm/s.
Body Material	Red Polyester
Temperature Range	-25 / 80C.
Enclosure Protection	IP67
Shock Resistance	IEC 68-2-27 11ms 30g
Vibration Resistance	IEC 68-2-6 10-55 Hz. 1mm
Mechanical Life Expectancy	10,000,000 switchings
Electrical Life Expectancy	1,000,000 switchings
Cable Type	De-rating Safety Factor 2 Tested to 2,000,000 cycles at 24V. 0.2A
Mounting Bolts	PVC 6 or 8 core 6mm O.D.
Mounting Position	2 x M4 Tightening torque 1.0 Nm Any



Sales Number	Type	Cable Length	Circuits
110009	Euromag LPR	2M	2NC
110010	Euromag LPR	5M	2NC
110011	Euromag LPR	10M	2NC
110012	Euromag LPR	QC-M12	2NC
110013	Euromag LPR	2M	2NC 1NO
110014	Euromag LPR	5M	2NC 1NO
110015	Euromag LPR	10M	2NC 1NO
110016	Euromag LPR	QC-M12	2NC 1NO