

# IDECODE - Coded Interlock Switches - Type MPC

**Coded Magnetic Actuation**

**Switching Tolerance up to 10mm**

**Specified to 80°**

*Will operate with most EN 954-1 Cat.4 Safety Relays*

**but designed to work up to 100°**

**Plastic Housing**

Compact yet robust fitting suitable for all small guard applications.

LED indication.

Hygienic screw covers ensure suitability for Food Processing washdown.

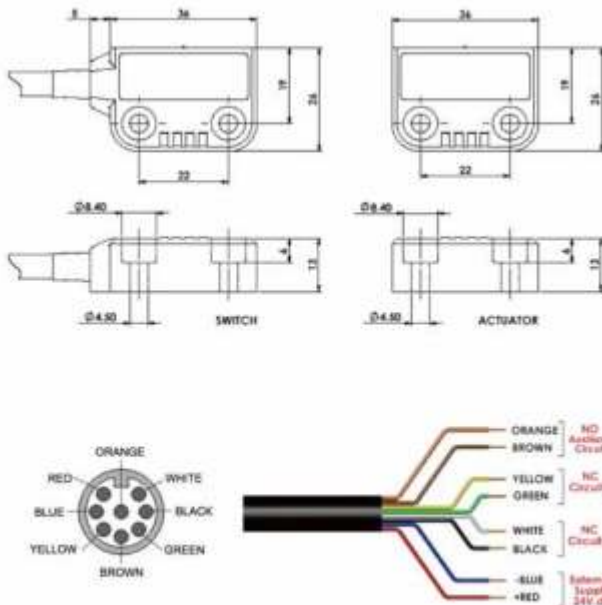
Cost effective interlock solution.

Wide sensing at 10mm.

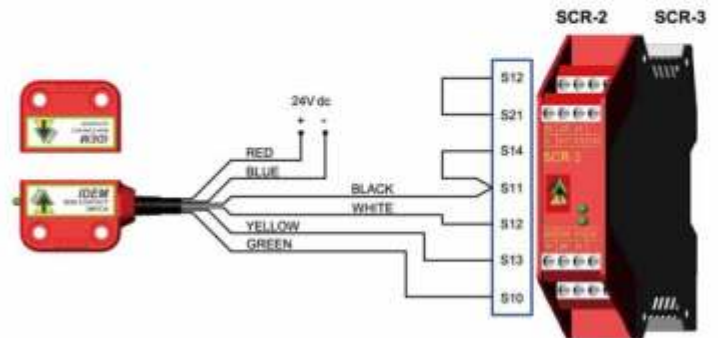
High specification polyester housing with backplate

Can be mounted unobtrusively in channels or behind doors – left or right cable exit.

2NC 1NO circuits - up to EN 954-1 Cat.4 with Safety Relay.



## Connection example – coded switches



Single switch connected to an SCR-2 or SCR-3 to give Dual Channel monitoring with Automatic Start.

Standards	EN1088	IEC 947-5-3	EN 60204-1
	EN 954-1	UL508	
Safety Channel 1	NC	24V.dc 0.2 A	Max. Rating
Safety Channel 2	NC	24V.dc 0.2 A	Max. Rating
Safety Channel 3	NO	24V.dc 0.2 A	Max. Rating
Power supply (regulated)		24V.dc +/-15%	Max.Consumption 50mA
Minimum switched current		10V. dc	10mA
Insulation Resistance		100 Mohms	
Dielectric withstand		250V.ac	
Recommended setting gap		5mm	
Switching Distance:		Sac 8mm Close	
(Target to target)		Sar 12mm Open	
Tolerance to misalignment		5mm in any direction from 4mm setting	
Switching frequency		1.0 Hz maximum	
Approach speed		200mm/m. to 1000mm/s.	
Body Material		Polyester	
Temperature Range		-25 / 80C.	
Enclosure Protection		IP67	
Shock Resistance		IEC 68-2-27	11ms 30g
Vibration Resistance		IEC 68-2-6	10-55 Hz. 1mm
Mechanical Life Expectancy		10,000,000	switchings
Electrical Life Expectancy		1,000,000	switchings
		De-rating Safety Factor 2	
		Tested to 2,000,000 cycles at 24V. 0.2A.	
Cable Type		PVC 6 core 6mm O.D. for 2NC	
		8 core 6mm O.D. for 2NC 1NO	
Mounting Bolts		2 x M4 recommended	
		Tightening torque 0.8Nm	
Mounting Position		Any	

Sales Number	Type	Cable Length	Circuits
114101	MPC Cable Right	2M	2NC
114102	MPC Cable Right	5M	2NC
114103	MPC Cable Right	10M	2NC
114104	MPC Cable Right	QC-M12*	2NC
114105	MPC Cable Right	2M	2NC 1NO
114106	MPC Cable Right	5M	2NC 1NO
114107	MPC Cable Right	10M	2NC 1NO
114108	MPC Cable Right	QC-M12*	2NC 1NO
114109	MPC Cable Left	2M	2NC
114110	MPC Cable Left	5M	2NC
114111	MPC Cable Left	10M	2NC
114112	MPC Cable Left	QC-M12*	2NC
114113	MPC Cable Left	2M	2NC 1NO
114114	MPC Cable Left	5M	2NC 1NO
114115	MPC Cable Left	10M	2NC 1NO
114116	MPC Cable Left	QC-M12*	2NC 1NO

\* Other QC sizes available upon request