

IDECODE - Coded Non Contact - Type CPC

Coded Magnetic Actuation

Switching Tolerance up to 14mm

Specified to 80°

but designed to work up to 100°

- Slim fitting suitable for all industry applications.
- Easy to install within narrow frame structures.
- Wide 14mm sensing high tolerance to misalignment.
- LED indication
- Up to EN 954-1 Cat.4 with safety relay.
- 2NC 1NO circuits
- Quick connect versions



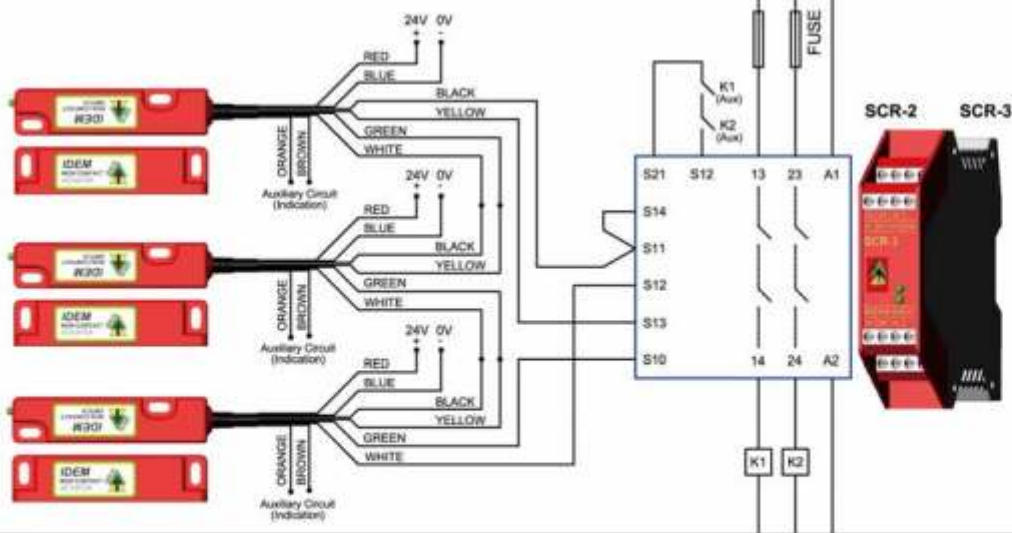
Plastic Housing

Will operate with most EN 954-1 Cat.4 Safety Relays



Application example – coded switches

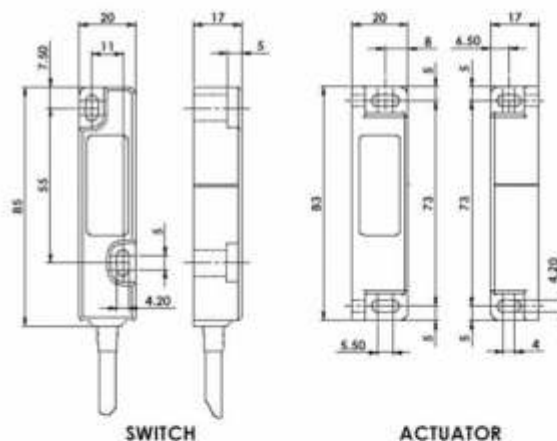
24Vdc



Three switches connected in series to an SCR-2 or SCR-3 to give Dual Channel monitoring with auto start and contactor feedback check. Optional auxiliary circuits provide for remote signalling from each switch.

0V

- | | | | |
|----------------------------|----------------------|---------------|-------------------------|
| Standards | EN1088 | IEC 947-5-3 | EN 60204-1 |
| | EN 954-1 | UL508 | |
| Safety Channel 1 NC | 24V.d.c | 0.2 A | Max. Rating |
| Safety Channel 2 NC | 24V.d.c | 0.2 A | Max. Rating |
| Safety Channel 3 NO | 24V.d.c | 0.2 A | Max. Rating |
| Power supply | 24V.d.c +/- | -15% | Max.Consumption 50mA |
| Minimum switched current | 10V. dc | 10mA | |
| Insulation Resistance | 100 Mohms | | |
| Dielectric withstand | 250V.ac | | |
| Recommended setting gap | 5mm | | |
| Switching Distance: | Sao | 10mm | Close |
| (Target to target) | Sar | 20mm | Open |
| Tolerance to misalignment | 5mm in any direction | | from 5mm setting gap |
| Switching frequency | 1.0 Hz | | maximum |
| Approach speed | 200mm/m. | | to 1000mm/s. |
| Body Material | Polyester | | |
| Temperature Range | -25 / 80C. | | |
| Enclosure Protection | IP67 | | |
| Shock Resistance | IEC 68-2-27 | 11ms | 30g |
| Vibration Resistance | IEC 68-2-6 | 10-55 Hz. | 1mm |
| Mechanical Life Expectancy | 10,000,000 | | switchings |
| Electrical Life Expectancy | 1,000,000 | | switchings |
| | De-rating | Safety Factor | 2 |
| | Tested to | 2,000,000 | cycles at 24V. 0.2A. |
| Cable Type | PVC | 6 core | 6mm O.D. for 2NC |
| | | 8 core | 6mm O.D. for 2NC 1NO |
| Mounting Bolts | 2 x M4 | | recommended |
| | | | Tightening torque 0.8Nm |
| Mounting Position | Any | | |



Sales Number	Type	Cable Length	Circuits
115001	Idecode CPC	2M	2NC
115002	Idecode CPC	5M	2NC
115003	Idecode CPC	10M	2NC
115004	Idecode CPC	QC-M12	2NC
115005	Idecode CPC	2M	2NC 1NO
115006	Idecode CPC	5M	2NC 1NO
115007	Idecode CPC	10M	2NC 1NO
115008	Idecode CPC	QC-M12	2NC 1NO