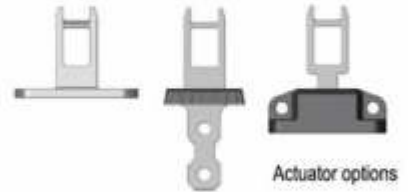


Kobra - Tongue Switches with Guard Locking - Type KLM



Guard locking up to 3000N.

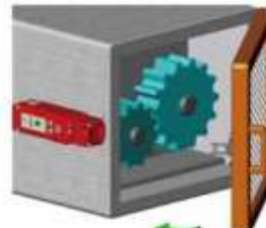
Standard (S/Steel) Flat (S/Steel) Heavy Duty Flexible (S/Steel / Metal Body)



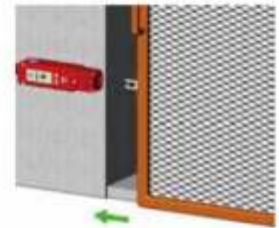
Actuator options



Stainless Steel Head



Hinged Guard



Sliding Guard

Push to release hand operated guards after solenoid energisation.

Features:

Die Cast Metal Housings – painted Red

Stainless Steel Head available

Provides Guard holding up to 3000N. (300Kg.)

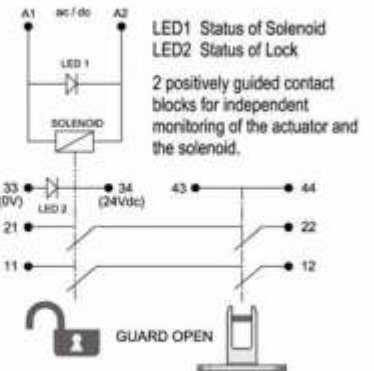
Solenoid operated release – choice of 24V, 110V, or 230V. ac/dc

2 diagnostic LED's LED1 Status of solenoid LED2 Status of Lock

3 Conduit entries M20 or 1/2" NPT or quick connect versions

2NC Safety circuits (Series connection – Solenoid / Actuator)
1NO Auxiliary circuit

Spring to lock when actuator is inserted. Energise solenoid to unlock.

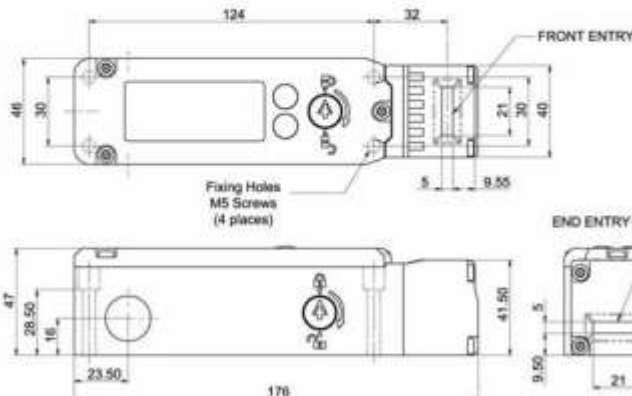


8 actuator entry positions rotatable head

Top or Side Manual release points

Actuator insertion

	9.0	8.0	0 mm
11/12	Open		
21/22	Open		
33/34			Open
43/44			Open



- Conforming to standard EN1088, IEC 947-5-1, UL508
- Solenoid Voltage 24V ac/dc or 110V. ac or 230V. ac
- LED 2 Supply Voltage 24V dc
- Utilization Category AC15 A300 3A.
- Thermal Current (Ith) 10A
- Rated Insulation Voltage 600VAC
- Rated Impulse Withstand Volt age 2500VAC
- Travel for Positive Opening 10mm
- Man. Actuation Frequency 2 cycle/sec
- Actuator entry minimum radius 175mm Standard 60mm Heavy Duty
- Case Material Die Cast - Painted red
- Actuator Material Stainless steel
- Enclosure Protection IP67
- Operating Temperature -25°C to 60°C
- Mechanical Life Expectancy 1 x 10⁶ Cycle min.
- Vibration IEC 68-2-6, 10-55Hz+1Hz, Excursion: 0.35mm, 1 octave/min
- Conduit Entry Various (See Sales Part Numbers)
- Fixing 4 x M5

Sales Number				
	Solenoid Voltage	M20	1/2" NPT	QC
Kobra KLM Switch	24V. ac/dc	202001	202002	202003
Kobra KLM Switch	110V. ac	202004	202005	202006
Kobra KLM Switch	230V. ac	202007	202008	202009
Kobra Actuator	Standard	Add A to Sales Part Number		
Kobra Actuator	Flat	Add F to Sales Part Number		
Kobra Actuator	Heavy Duty Flexible	Add HF to Sales Part Number		
Stainless Steel Head Version		Add SS to Sales Part Number		

Ordering Example: Kobra KLP M20 230V. Solenoid with Heavy Duty Flexible Actuator and Stainless Steel Head
Part No. 202007-HF-SS